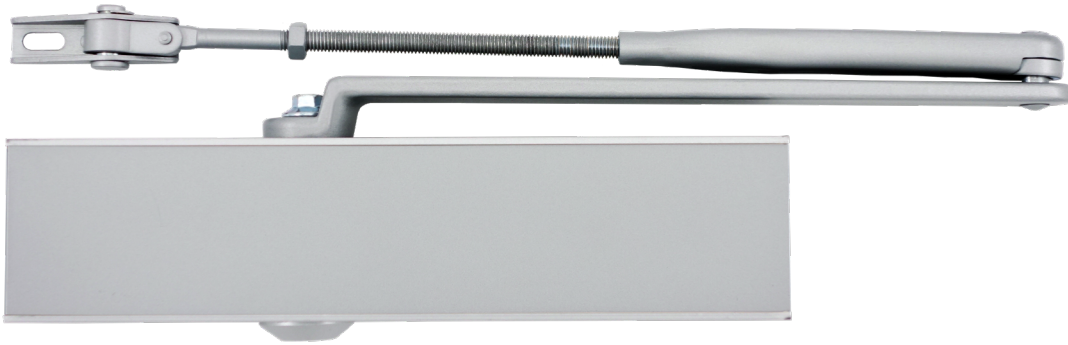
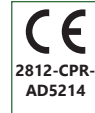




Door Closer

RDC-A-9881

Surface Mounted
Hydraulic Door Closer
Smart Design

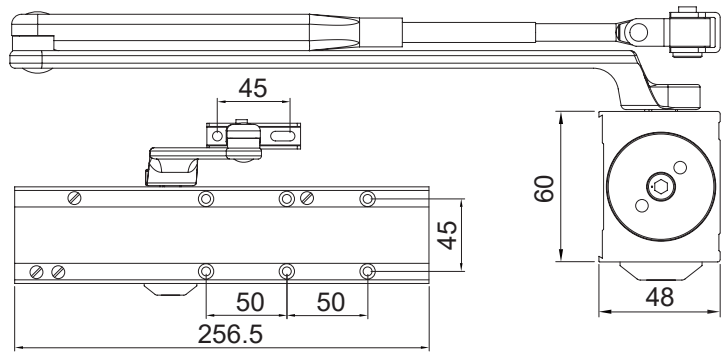


Technical Data:

- Adjustable power size : EN 2-6
- Door width : 1400 mm
- Max opening angle : 180°
- Max door weight : 120 kg

Features:

- Material : Aluminum Alloy coating body
- Handing : Non-handed installation
- Mechanism : Rack & Pinion
- Valves : Thermo-constant valve
- Accessories : Standard arm / Parallel barcket
- Direction : Single action door
- Closing speed : Adjustable
- Latching speed : Adjustable
- Back check : Adjustable



Application & Fixing:

- Standard door mount on pull side
- Transom mount on push side
- Parallel bracket mount on size 3-5

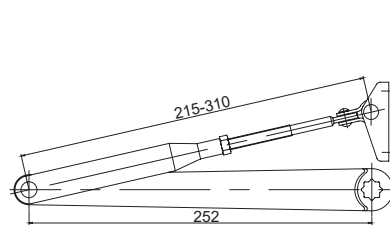
Request /Options:

- Hold open arm
- Stainless steel metal cover
- Stainless steel sheet
- Adjustbale delay action

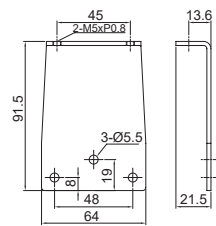
*This option is not covered by the certificate

Finishing:

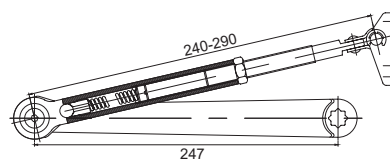
- Standard Silver colour (aluminum)
- Painted gold, black and white (request)



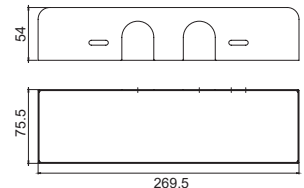
Standard arm



Parallel bracket



Hold open arm
Non-handed



Metal cover

RDC-A-9882
Surface Mounted
Hydraulic Door Closer
Smart Design

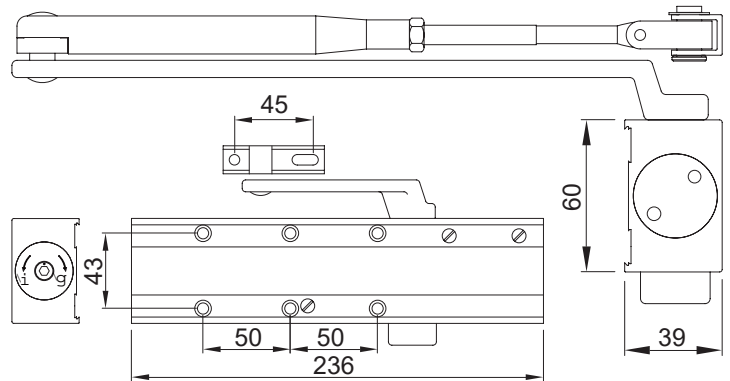


Technical Data:

- Adjustable power size : EN 2-5
- Door width : 1250 mm
- Max opening angle : 180°
- Max door weight : 100 kg

Features:

- Material : Aluminum Alloy coating body
- Handing : Non-handed installation
- Mechanism : Rack & Pinion
- Valves : Thermo-constant valve
- Accessories : Standard arm / Parallel barcket
- Direction : Single action door
- Closing speed : Adjustable
- Latching speed : Adjustable
- Back check : Adjustable

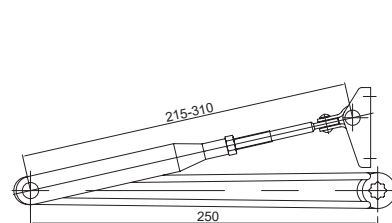


Application & Fixing:

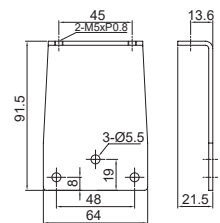
- Standard door mount on pull side
- Transom mount on push side
- Parallel bracket mount on size 3-4

Request /Options:

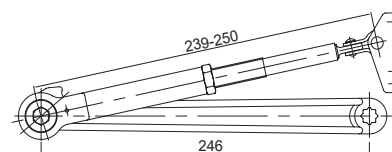
- Hold open arm
- Stainless steel metal cover
- Stainless steel sheet



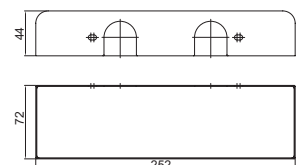
Standard arm



Parallel bracket



Hold open arm
 Non-handed



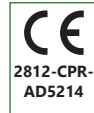
Metal cover

Finishing:

- Standard Silver colour (aluminum)
- Painted gold, black and white (request)

RDC-A-9883

Surface Mounted
Hydraulic Door Closer
Smart Design

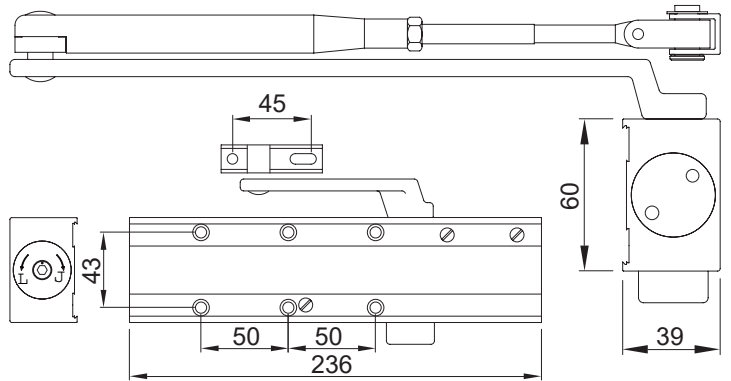


Technical Data:

- Adjustable power size : EN 2-4
- Door width : 1100 mm
- Max opening angle : 180°
- Max door weight : 80 kg

Features:

- Material : Aluminum Alloy coating body
- Handing : Non-handed installation
- Mechanism : Rack & Pinion
- Valves : Thermo-constant valve
- Accessories : Standard arm / Parallel barcket
- Direction : Single action door
- Closing speed : Adjustable
- Latching speed : Adjustable
- Back check : Adjustable



Application & Fixing:

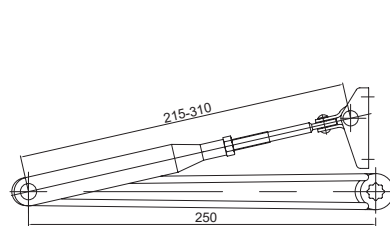
- Standard door mount on pull side
- Transom mount on push side
- Parallel bracket mount on size 3-4

Request /Options:

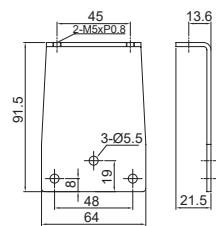
- Hold open arm
- Stainless steel metal cover
- Stainless steel sheet

Finishing:

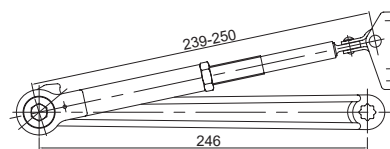
- Standard Silver colour (aluminum)
- Painted gold, black and white (request)



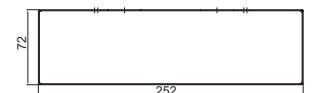
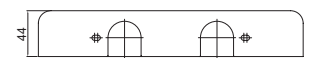
Standard arm



Parallel bracket



Hold open arm
Non-handed



Metal cover

RDC-A-9887

**Surface Mounted
Hydraulic Door Closer
Smart Design**



Technical Data:

- Selectable position power size : EN 2-4
- Door width : 1100 mm
- Max opening angle : 180°
- Max door weight : 80 kg

Features:

- Material : Aluminum Alloy coating body
- Handing : Non-handed installation
- Mechanism : Rack & Pinion
- Valves : Thermo-constant valve
- Accessories : Standard arm / Parallel barcket
- Direction : Single action door
- Closing speed : Adjustable
- Latching speed : Adjustable
- Back check : Adjustable

Application & Fixing:

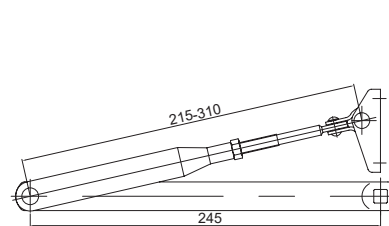
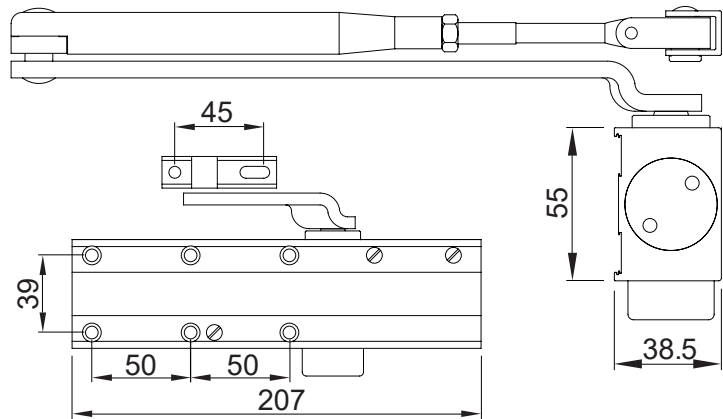
- Standard door mount on pull side
- Transom mount on push side
- Parallel bracket mount on size 3

Request /Options:

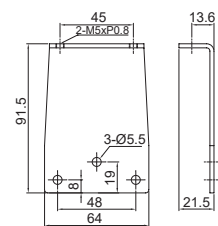
- Hold open arm
- Stainless steel metal cover
- Stainless steel sheet

Finishing:

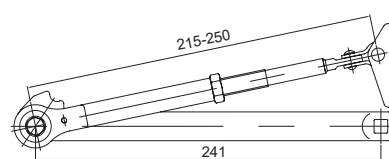
- Standard Silver colour (aluminum)
- Painted gold, black and white (request)



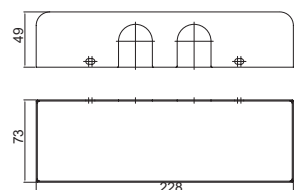
Standard arm



Parallel bracket



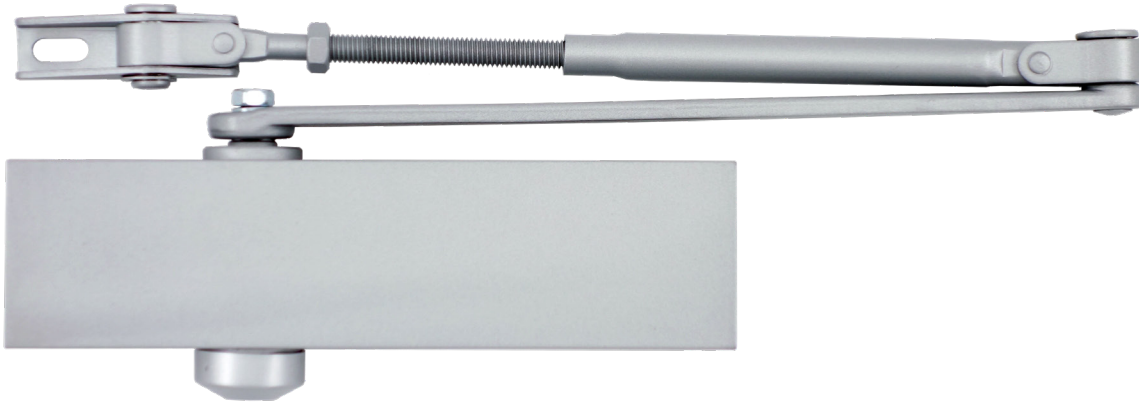
Hold open arm
Non-handed



Metal cover

RDC-A-9812

Surface Mounted
Hydraulic Door Closer
Slim Design

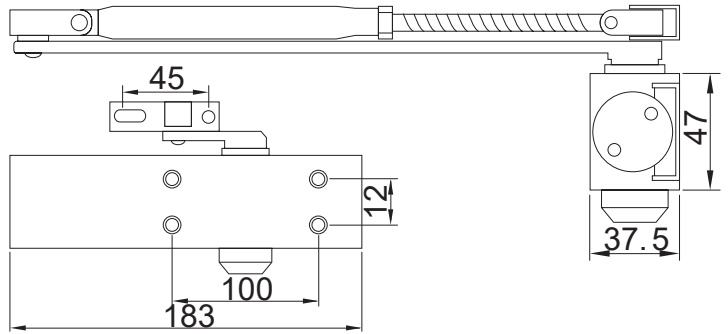


Technical Data:

- Selectable position power size : En 2 ; En 3 ; En 4
- Door width : 850 mm ; 950 mm ; 1100 mm
- Max opening angle : 120° ; 120° ; 105°
- Max door weight : 85 kg

Features:

- Material : Aluminum Alloy coating body
- Handing : Non-handed installation
- Mechanism : Rack & Pinion
- Accessories : Standard arm / Parallel barcket
- Direction : Single action door
- Closing speed : Adjustable
- Latching speed : Adjustable



Application & Fixing:

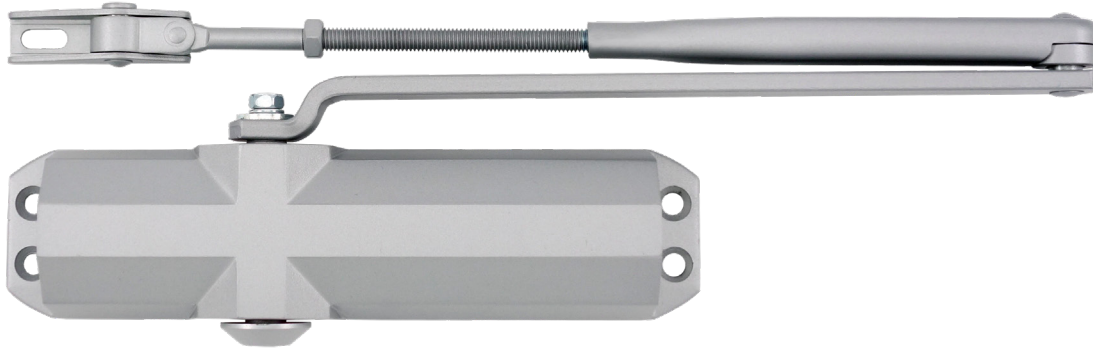
- Standard door mount on pull side
- Transom mount on push side
- Parallel bracket mount

Finishing:

- Standard Silver colour (aluminum)
- Painted gold, black and white (request)

RDC-A-9968

Surface Mounted
Hydraulic Door Closer
Smart Design



Technical Data:

- Selectable position power size : En 2 ; En 3 ; En 4
- Door width : 870 mm ; 950 mm ; 1100 mm
- Max opening angle : 180° ; 180° ; 160°
- Max door weight : 85 kg

Features:

- Material : Die cast Aluminum housing
- Handing : Non-handed installation
- Mechanism : Rack & Pinion
- Valves : Thermo-constant valve
- Accessories : Standard arm / Parallel barcket
- Direction : Single action door
- Closing speed : Adjustable
- Latching speed : Adjustable

Application & Fixing:

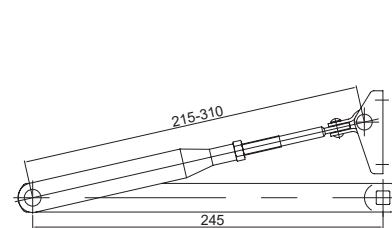
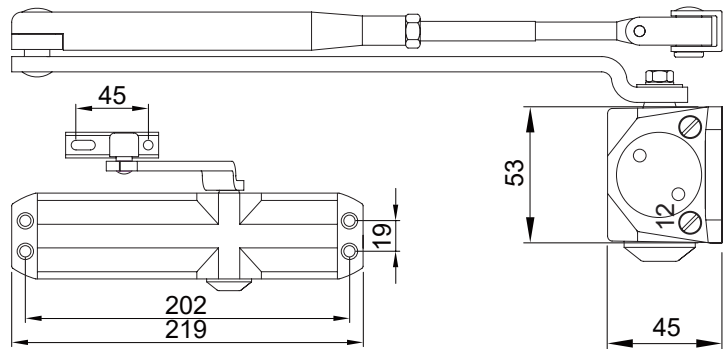
- Standard door mount on pull side
- Transom mount on push side
- Parallel bracket mount on size 2

Request /Options:

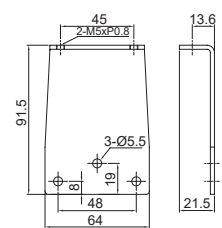
- Hold open arm
- Stainless steel metal cover

Finishing:

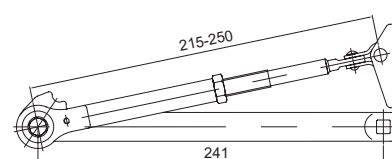
- Standard Silver colour (aluminum)
- Painted gold, black and white (request)



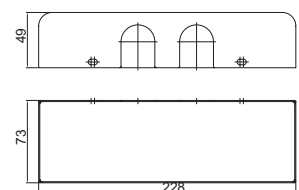
Standard arm



Parallel bracket



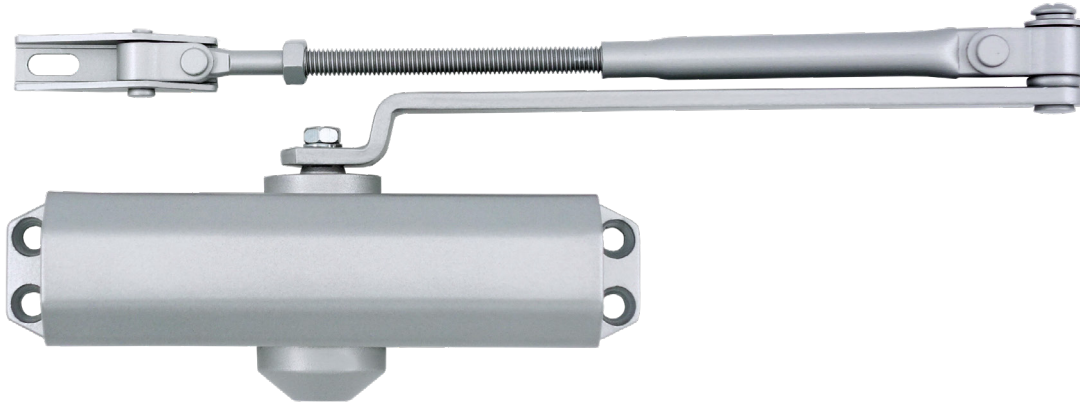
Hold open arm
Non-handed



Metal cover

RDC-A-9903

**Surface Mounted
Hydraulic Door Closer
Smart Design**

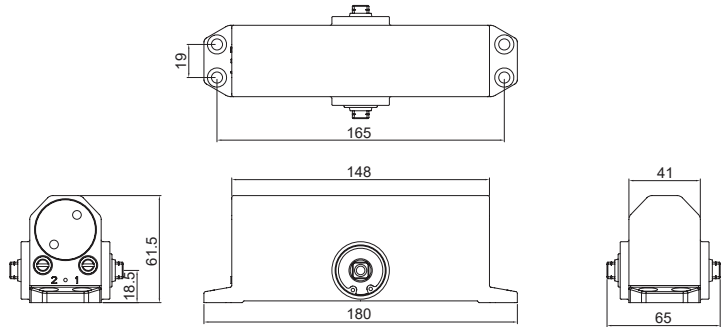


Technical Data:

- Selectable position power size : En 2 ; En 3 ; En 4
- Door width : 870 mm ; 950 mm ; 1100 mm
- Max opening angle : 160° ; 160° ; 145°
- Max door weight : 68 kg

Features:

- Material : Die cast Aluminum housing
- Handing : Non-handed installation
- Mechanism : Rack & Pinion
- Valves : Thermo-constant valve
- Accessories : Standard arm / Parallel barcket
- Direction : Single action door
- Closing speed : Adjustable
- Latching speed : Adjustable

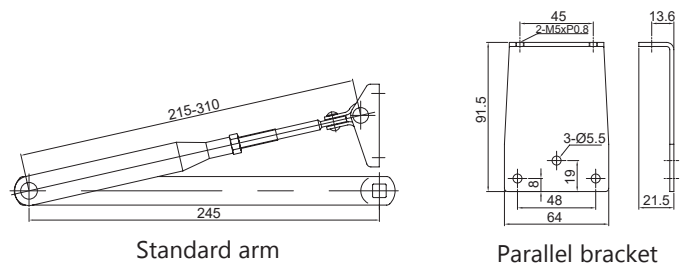


Application & Fixing:

- Standard door mount on pull side
- Transom mount on push side
- Parallel bracket mount on size 2-3

Request /Options:

- Hold open arm

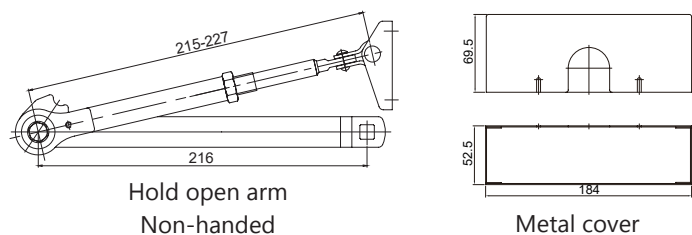


Standard arm

Parallel bracket

Finishing:

- Standard Silver colour (aluminum)
- Painted gold, black and white (request)

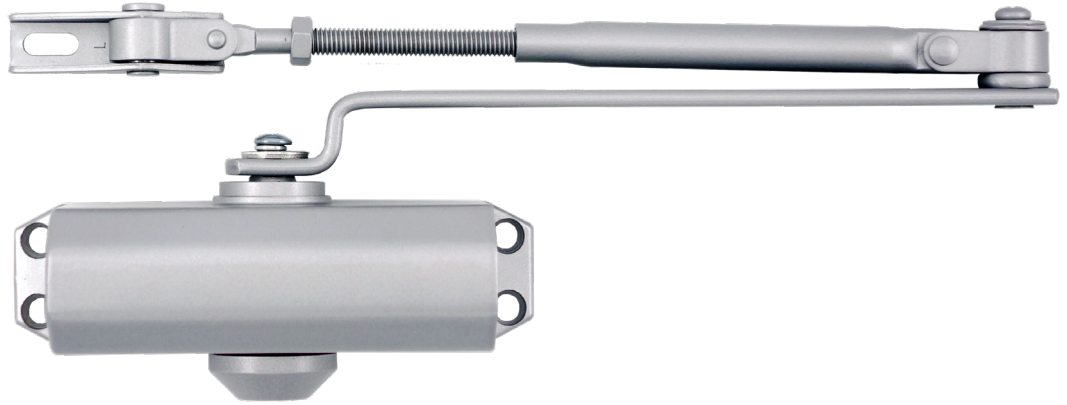


Hold open arm
Non-handed

Metal cover

RDC-A-9901

**Surface Mounted
Hydraulic Door Closer
Slim Design**

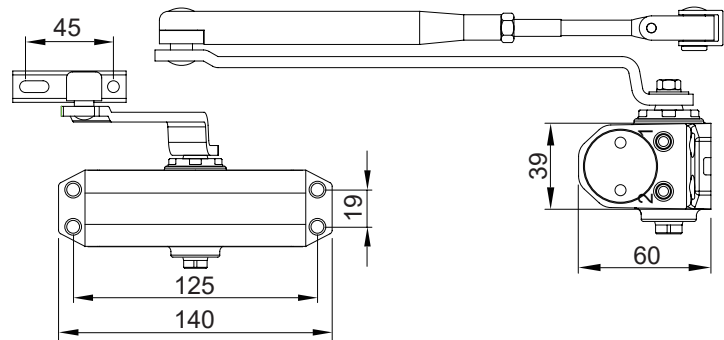


Technical Data:

- Fixed power size : EN 2
- Door width : 900 mm
- Max opening angle : 120°
- Max door weight : 45 kg

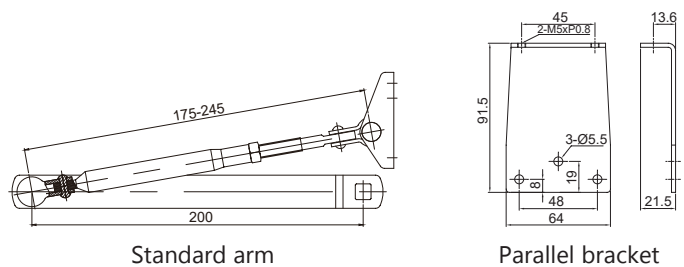
Features:

- Material : Die cast Aluminum housing
- Handing : Non-handed installation
- Mechanism : Rack & Pinion
- Accessories : Standard arm / Parallel barcket
- Direction : Single action door
- Closing speed : Adjustable
- Latching speed : Adjustable



Application & Fixing:

- Standard door mount on pull side
- Transom mount on push side

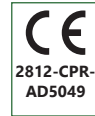


Finishing:

- Standard Silver colour (aluminum)
- Painted gold, black and white (request)

RDC-B-9693

Surface Mounted
Cam Action Door Closer
Slide Track Arm

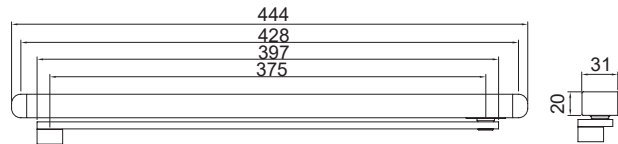
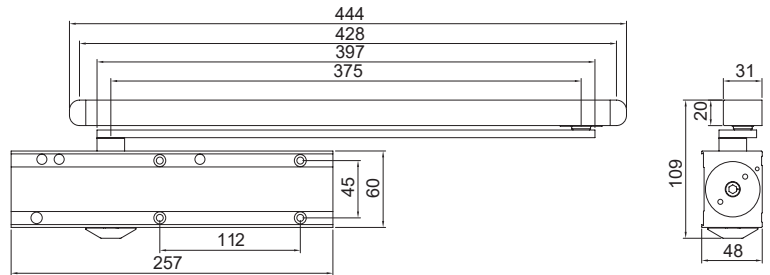


Technical Data:

- Selectable position power size : EN 2-5
- Door width : 1250 mm
- Max opening angle : 180°
- Max door weight : 100 kg

Features:

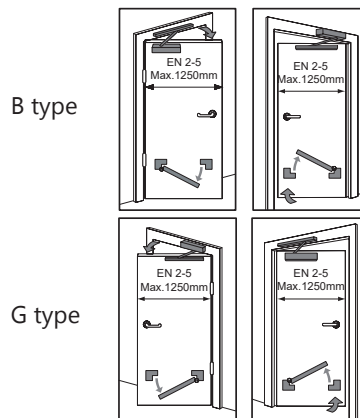
- Material : Aluminum Alloy coating body
- Handing : Non-handed installation
- Mechanism : Cam action
- Valves : Thermo-constant valve
- Accessories : Track arm & rail
- Direction : Single action door
- Closing speed : Adjustable
- Latching speed : Adjustable
- Back check : Adjustable
- Delay action : Adjustable



Track arm & rail

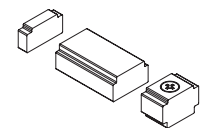
Application & Fixing:

- B type : Door mount pull side & transom mount push side
- G type : Door mount push side & transom mount pull side

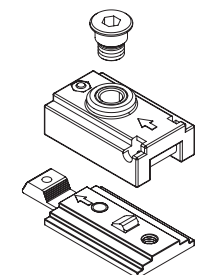


B type

G type



Cushion



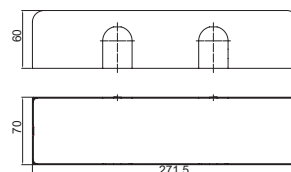
Hold-open device

Request /Options:

- Hold-open device
- Stainless steel metal cover
- Stainless steel sheet
- Electric control (EHO)
(electromagnetic hold-open application)

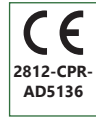
Finishing:

- Standard Silver colour (aluminum)
- Painted gold, black and white (request)



Metal cover

RDC-B-9692
Surface Mounted
Cam Action Door Closer
Slide Track Arm



Technical Data:

- Fixed Power size : En 2-4
- Door width : 1100 mm
- Max opening angle : 180°
- Max door weight : 80 kg

Features:

- Material : Aluminum Alloy coating body
- Handing : Non-handed installation
- Mechanism : Cam action
- Valves : Thermo-constant valve
- Accessories : Track arm & rail
- Direction : Single action door
- Closing speed : Adjustable
- Latching speed : Adjustable
- Back check : Adjustable

Application & Fixing:

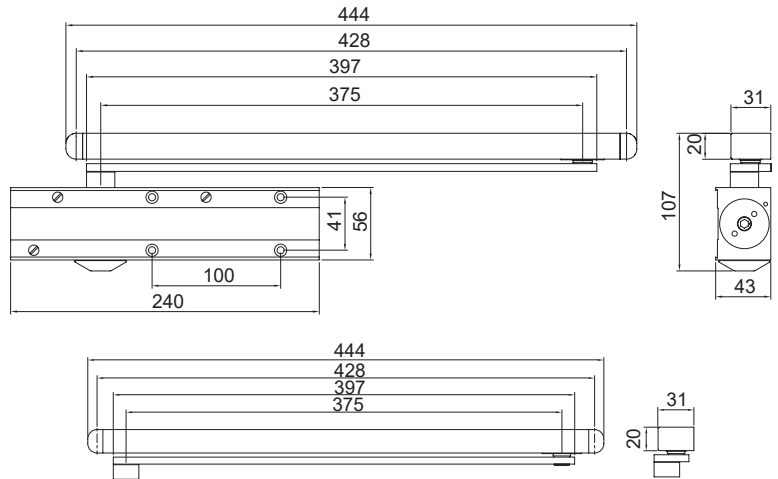
- B type : Door mount pull side & transom mount push side
- G type : Door mount push side & transom mount pull side

Request /Options:

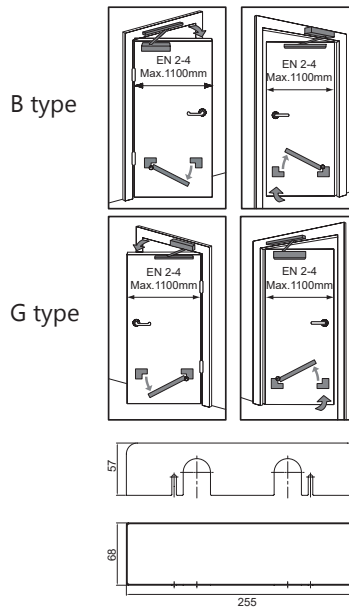
- Hold-open device
- Stainless steel metal cover
- Stainless steel sheet
- Electric control (EHO)
 (electromagnetic hold-open application)

Finishing:

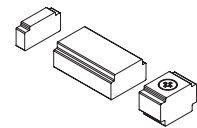
- Standard Silver colour (aluminum)
- Painted gold, black and white (request)



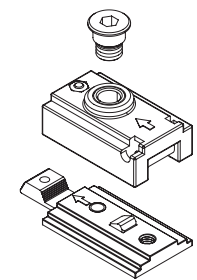
Track arm & rail



Metal cover



Cushion



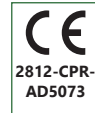
Hold-open device



Concealed Door Closer

RDC-C-9396

Concealed Cam Action Door Closer
Slide Track Arm



Technical Data:

- Selectable position power size : EN 2-4
- Door width : 1100 mm
- Max opening angle : 120°
- Max door weight : 80 kg

Features:

- Material : Aluminum Alloy coating body
- Handing : Non-handed installation
- Mechanism : Cam action
- Valves : Thermo-constant valve
- Accessories : Track & rail
- Direction : Single action door
- Closing speed : Adjustable
- Latching speed : Adjustable
- Door with 40mm or above thickness requirements

Application & Fixing:

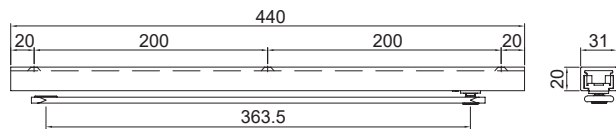
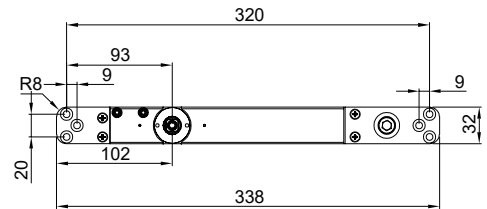
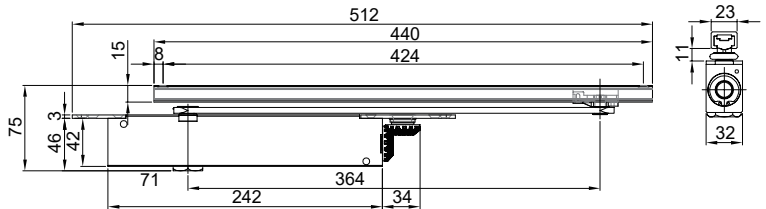
- Concealed in door
- Concealed in transom

Request /Options:

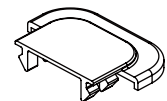
- Hold-open device
- Electric control (EHO)
(electromagnetic hold-open application)

Finishing:

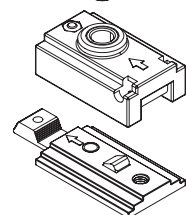
- Standard Silver colour (aluminum)



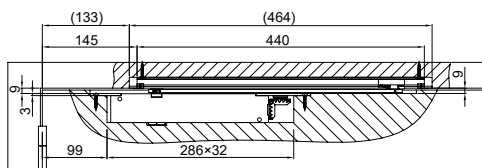
Track arm & rail



End cap



Hold-open device



Door Mount

RDC-C-9380-2 / RDC-C-9380-3

**Concealed Rack Pinion
Door Closer with Slide Track Arm**



Technical Data:

- Fixed Power size : En 2 ; En 3
- Door width : 850 mm ; 950 mm
- Max opening angle : 120°
- Max door weight : 45 kg ; 65 kg

Features:

- Material : Die cast Aluminum housing
- Handing : Non-handed installation
- Mechanism : Rack & Pinion
- Valves : Thermo-constant valve
- Accessories : Track & rail
- Direction : Single action door
- Closing speed : Adjustable
- Latching speed : Adjustable

Application & Fixing:

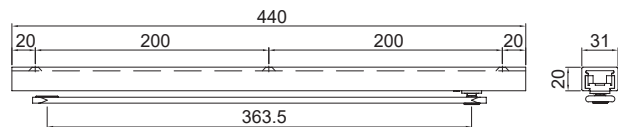
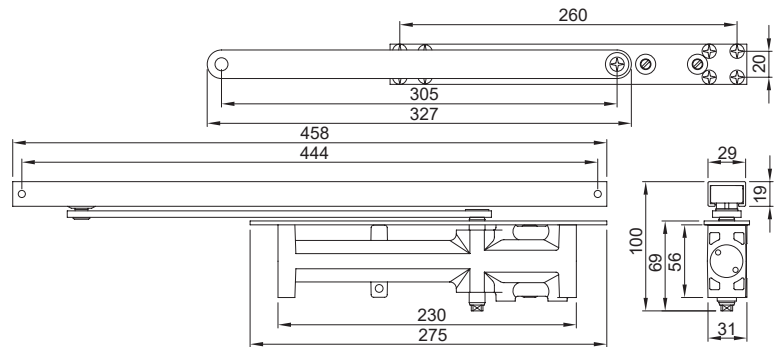
- Concealed in door
- Concealed in transom

Request /Options:

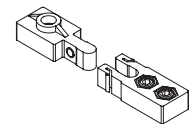
- Hold-open device

Finishing:

- Standard Silver colour (aluminum)



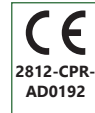
Track arm & rail



Hold-open device

RDC-C-9360

Concealed Rack Pinion
Door Closer with Slide Track Arm



Technical Data:

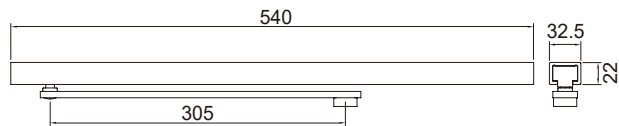
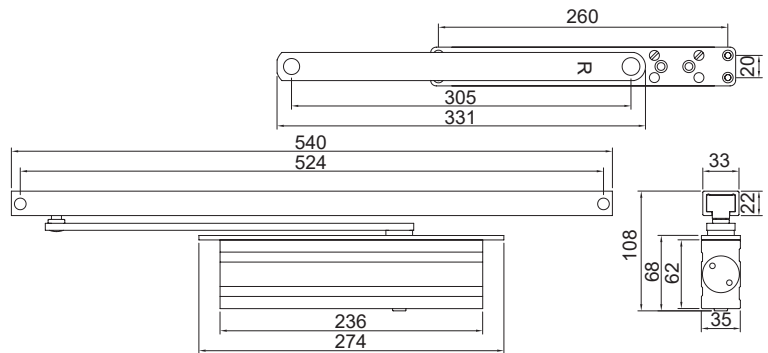
- Fixed power size : EN 3
- Door width : 950 mm
- Max opening angle : 105°
- Max door weight : 60 kg

Features:

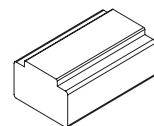
- Material : Aluminum Alloy coating body
- Handing : Non-handed installation
- Mechanism : Rack & Pinion
- Valves : Thermo-constant valve
- Accessories : Hold open device & track arm & rail
- Direction : Single action door
- Closing speed : Adjustable
- Latching speed : Adjustable

Application & Fixing:

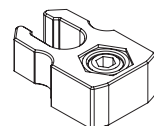
- Concealed in door



Track arm & rail



Cushion



Hold-open device

Finishing:

- Standard Silver colour (aluminum)
- Painted gold, black and white (request)

RDC-C-9320-2 / RDC-C-9320-3

Concealed Rack Pinion
Door Closer with Slide Track Arm

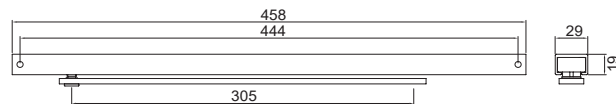
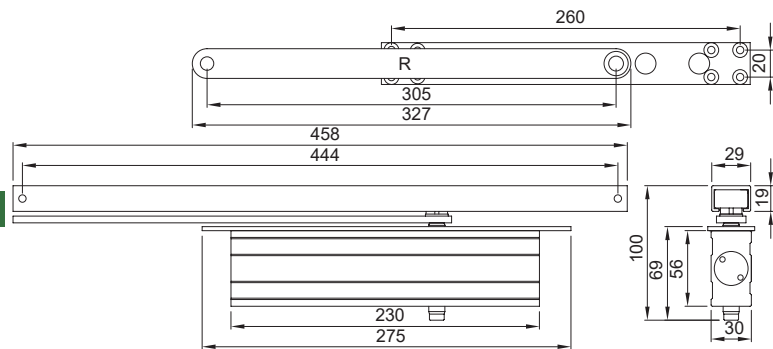


Technical Data:

- Fixed Power size : En 2 ; En 3
- Door width : 850 mm ; 950 mm
- Max opening angle : 120°
- Max door weight : 45 kg ; 65 kg

Features:

- Material : Aluminum Alloy coating body
- Handing : Non-handed installation
- Mechanism : Rack & Pinion
- Valves : Thermo-constant valve
- Accessories : Track arm & rail
- Direction : Single action door
- Closing speed : Adjustable
- Latching speed : Adjustable



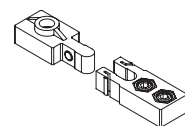
Track arm & rail

Application & Fixing:

- Concealed in door
- Concealed in transom

Request /Options:

- Hold-open device
- For Track arm & rail



Hold-open device

Finishing:

- Standard Silver colour (aluminum)